

Balun Transformer(0.4-500MHz)

Features

- Surface mount
- Impedance ratio: 1:1
- RoHS compliant and Pb free
- Available on tape and reel
- 260°C reflow compatible
- CT on Secondary

Description

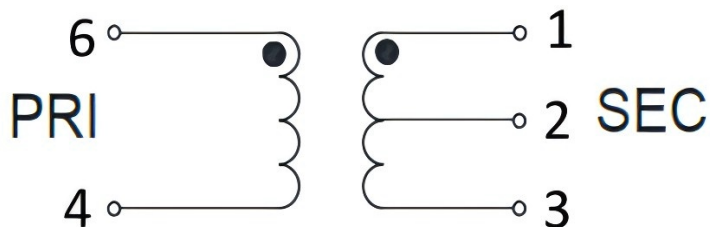
SCOPE

- MCBT1-1-351 is a 1:1 Balun transformer in a SMT package.

APPLICATIONS

- Ideally suited for high volume cellular and wireless applications.

Functional Schematic



Pin Configuration

Pin #	Function	Pin #	Function
1	Secondary Dot	4	Primary
2	Secondary CT	6	Primary Dot
3	Secondary		

ELECTRICAL SPECIFICATIONS@25°C

Parameters (P#: ENA PORT)	frequency band	Min.	Typ.	Max.	Unit
Port Impedance, Z0			50		Ohm
Insertion Loss	1-100MHz		0.5	1.0	dB
	0.5-300MHz		1.1	2.0	dB
	0.4-500MHz		1.8	3.0	dB
Return Loss	1-100MHz		18.0		dB
	0.5-300MHz		10.0		dB
	0.4-500MHz		7.0		dB
Amplitude UnBalance	1-100MHz		0.1		dB
	0.5-300MHz		0.6		dB
Phase UnBalance	1-100MHz		1.0		Deg
	0.5-300MHz		5.0		Deg

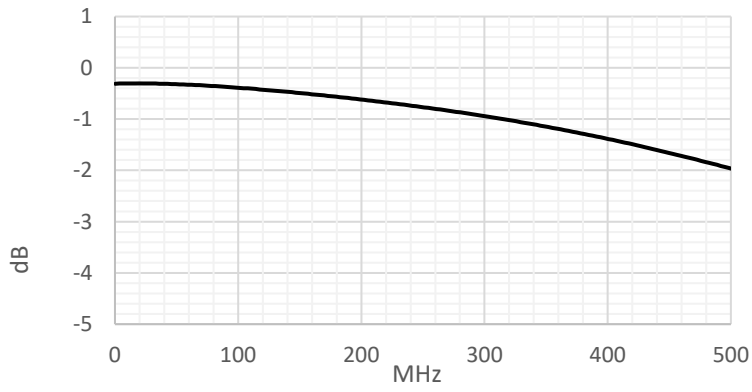
Absolute Maximum Ratings

Parameter	Value
Input Power	250mW MAX
DC Current	30mA MAX
Operating Temperature Range	-40 to 85°C

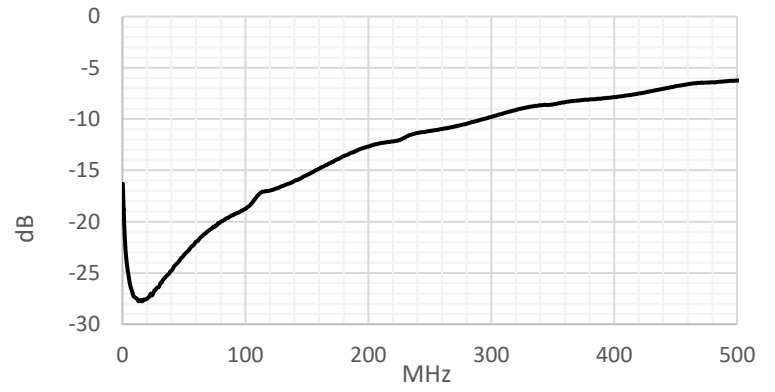
Balun Transformer(0.4-500MHz)

Test Curve

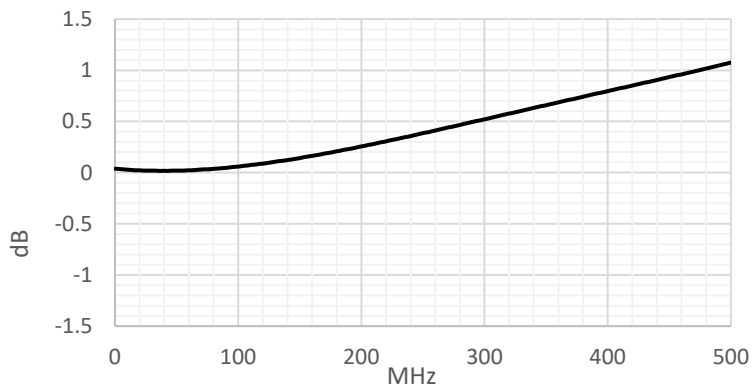
Insertion Loss



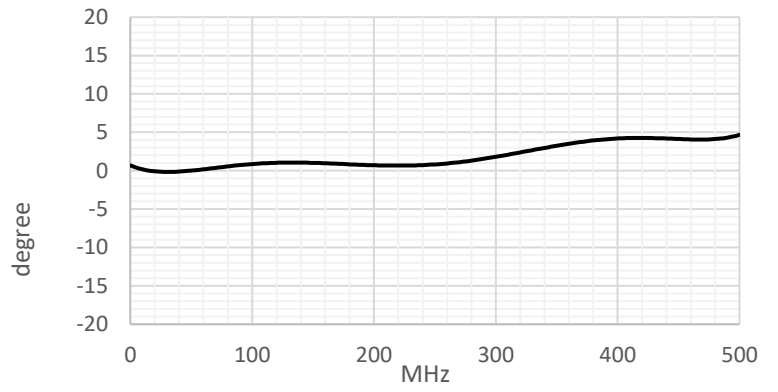
Input Return Loss



Applitude Balance

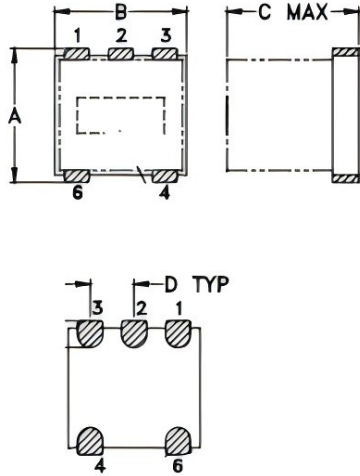


Phase Balance

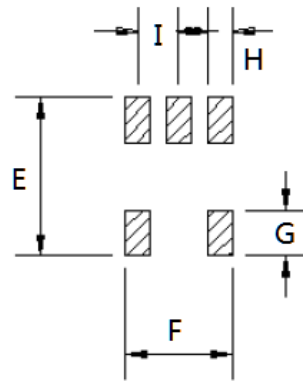


Balun Transformer(0.4-500MHz)

Dimensions



Land Pattern



A	B	C
3.81	3.81	3.81Max
D		
1.27		

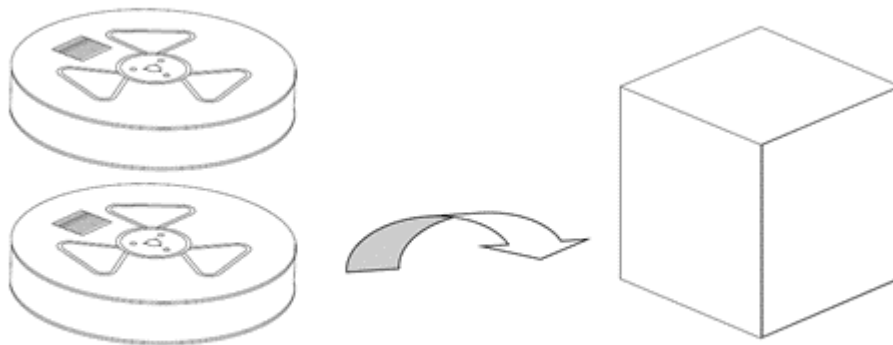
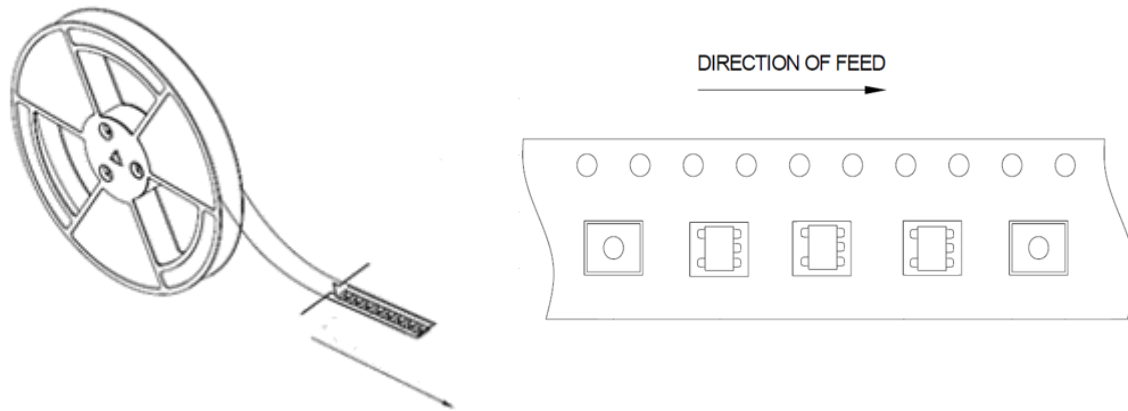
E	F	G
4.83	3.30	1.40
H	J	
0.76	1.27	

Unless otherwise stated dimensions are in mm

Tolerance: .xx ± 0.25, .xxx ± 0.05

Balun Transformer(0.4-500MHz)

Packing



Ten Reel

Export Carton

Quantity per reel: 2000 pcs

Quantity per export carton: 20000 pcs