

10/100 BASE SINGLE PORT TRANSFORMER



- RoHS compliant.
- Compliant with IEEE 802.3 standard
- Operating temperature range: 0 °C to +70°C
- Storage temperature range: - 20°C to +125°C

Electrical Specifications @ 25 °C

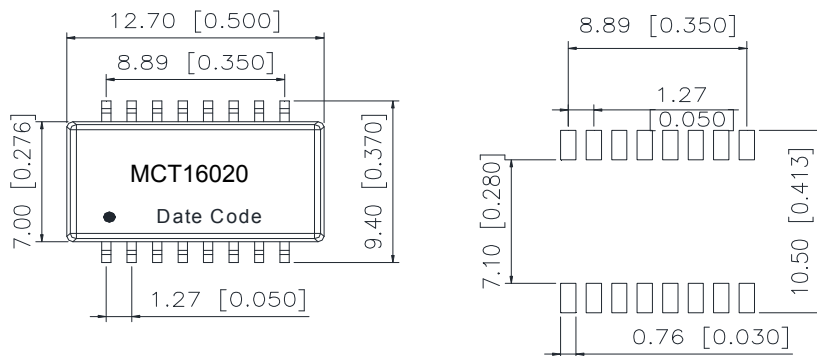
Part Number	Turns Ratio (±5%)		OCL(μH Min) @100KHz/0.1V with 8.0mA DC	Insertion Loss (dB Max)	HI-POT (Vrms)
	TX	RX		1-100MHz	
MCT16020	1CT:1CT	1CT:1CT	350	-1.15	1500

Continue

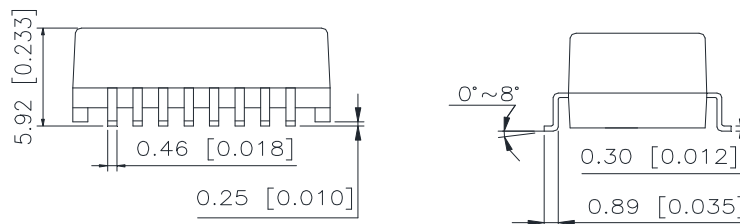
Part Number	Return Loss (dB Min)				Cross Talk (dB Min)		DCMR (dB Min)		
	1-30MHz	40MHz	50MHz	60-80MHz	1-60MHz	60-100MHz	30MHz	60MHz	100MHz
MCT16020	-18	-15.5	-13.6	-12	-45	-35	-40	-35	-30

Remark:Electrical characteristics at 25°C unless other specified.

Mechanicals



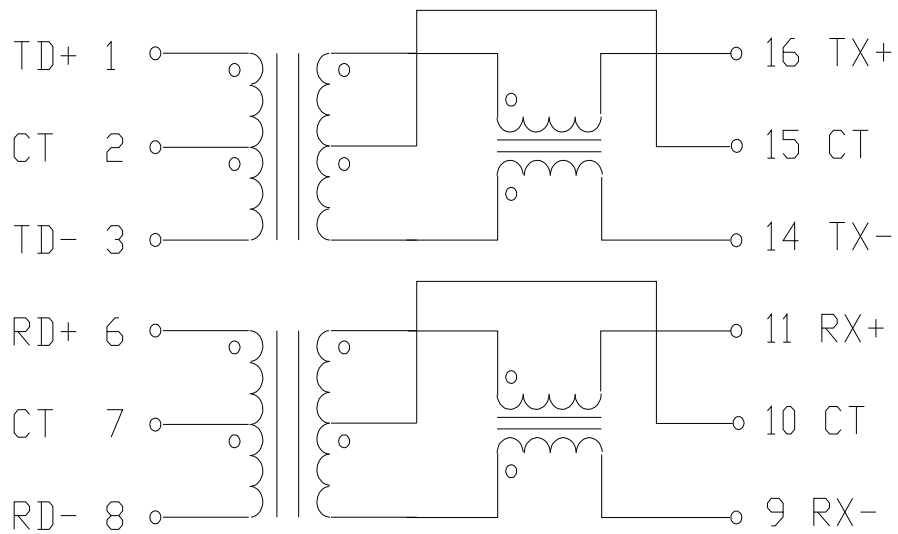
SUGGESTED PCB LAYOUT



Dimension: mm[Inch]±0.25[0.010]

10/100 BASE SINGLE PORT TRANSFORMER

Schematics



Package

